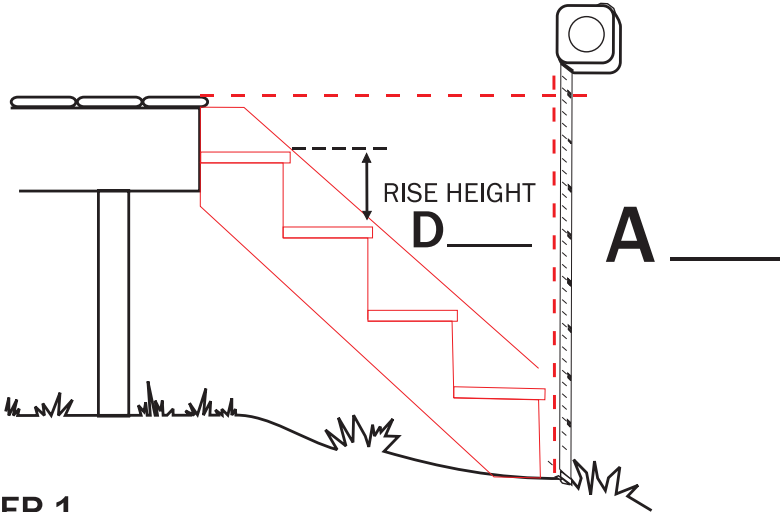


INSTALLATION WORKSHEET

TOOLS NEEDED:

- Safety glasses
- Circular saw
- Speed square
- Drill / driver bits
- Tape measure
- Pencil / marker
- Tin snips



STEP 1

Measure for needed stair height **A** _____

STEP 2

Find stair height measurement "**A**" in yellow column. Move across to determine the number of bracket pairs (bp) and length of stringer.

Enter # of bp's needed here **B** _____

Enter length of stringers here **C** _____

STEP 3

Move to bottom of column to determine RISE HEIGHT .

Record RISE HEIGHT measurement here

D _____

48" max. stair width outer diameter.

MATERIAL LIST

- *Brackets (bp-bracket pairs) **(B)** _____
- *2 x 12 Stringers 2 x **(C)** _____
- *2 x 12 Tread material **(B)** _____
- *Fasteners:
- #10 x 1 1/2" galv. screws for treated lumber 8 x **(B)** _____

STAIR HEIGHT

bp=Bracket Pairs - Stringer Lengths

12ft	144"		19bp -20ft		
	143				18bp-20ft
	142		19bp -20ft		
	141			18bp-20ft	
	139 - 140			18bp-20ft	
	137 - 138				17bp -18ft
	134 - 136		18bp-20ft		
11ft	132" - 133			17bp -18ft	
	131				16bp -18ft
	130				16bp -18ft
	128-129				16bp -18ft
	127			16bp -18ft	
	125 - 126			16bp -18ft	
	124			16bp -18ft	15bp-16ft
	123				15bp-16ft
	121 - 122				15bp-16ft
10ft	120"			15bp-16ft	
	117 - 119			15bp-16ft	
	116	16bp -18ft			
	113 - 115				14bp -16ft
	109 - 112			14bp -16ft	
9ft	106 - 108"				13bp -14ft
	105	14bp -16ft			
	102 - 104			13bp -14ft	
	101		13bp -14ft		
	99 - 100				12bp -14ft
	98				12bp -14ft
8ft	95 - 97			12bp -14ft	
	93 - 94				
	92				11bp -12ft
	91				11bp -12ft
	89 - 90			11bp -12ft	
	88			11bp -12ft	
	85 - 87		11bp -12ft		
7ft	83 - 84"				10bp -12ft
	82			10bp -12ft	
	80 - 81			10bp -12ft	
	78 - 79		10bp -12ft		
	76 - 77				9bp -10ft
	75			9bp -10ft	
	73 - 74			9bp -10ft	
6ft	71 - 72"		9bp -10ft		
	70	9bp -10ft			
	69				8bp -10ft
	68				8bp -10ft
	66 - 67			8bp -10ft	
	64 - 65		8bp -10ft		
	62 - 63	8bp -10ft			
	61				7bp -8ft
5ft	59 - 60"			7bp -8ft	
	57 - 58		7bp -8ft		
	55 - 56	7bp -8ft			
	53 - 54				6bp -7ft
	51 - 52			6bp -7ft	
	50		6bp -7ft		
4ft	48"- 49	6bp -7ft			
	46 - 47				5bp -6ft
	44 - 45			5bp -6ft	
	43		5bp -6ft		
	40 - 42	5bp -6ft			
	38 - 39				4bp -5ft
	37			4bp -5ft	
3ft	36"		4bp -5ft		
	34 - 35	4bp -5ft			

6-7/8

7-1/8

7-3/8

7-5/8

RISE HEIGHT

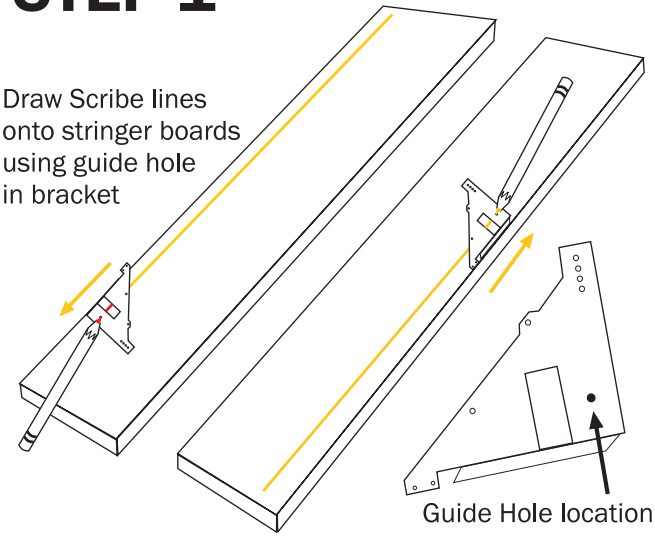
TURN OVER FOR INSTALL INSTRUCTIONS

or visit mpiconcepts.com

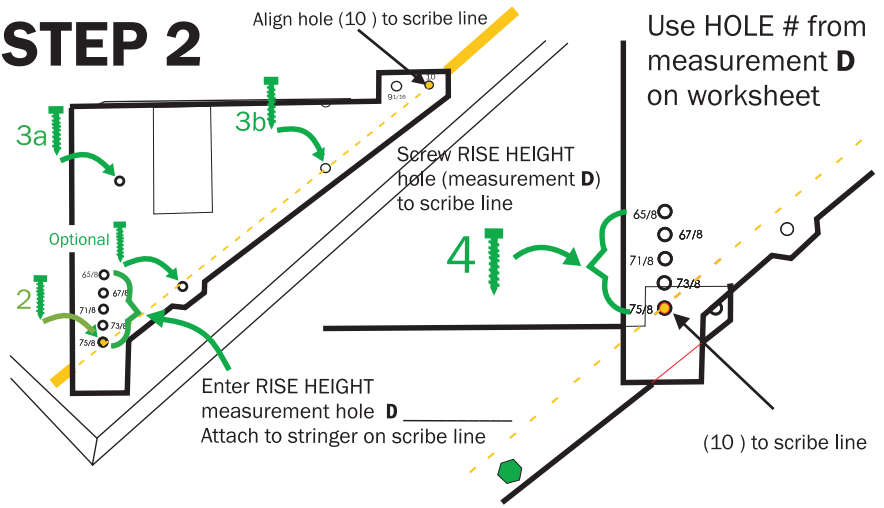
For more info. & installation video
go to mpiconcepts.com

STEP 1

Draw Scribe lines
onto stringer boards
using guide hole
in bracket



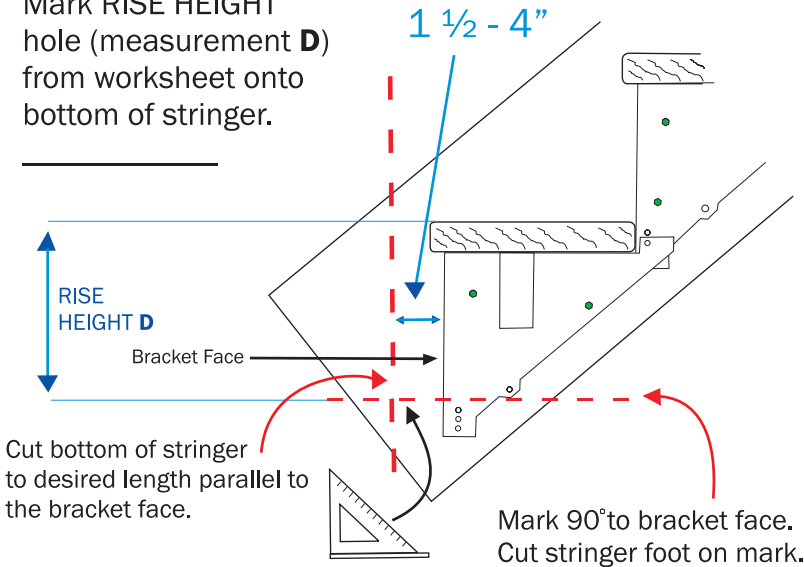
STEP 2



1. Place bracket approx. 2" from end of stringer on scribed line.
2. Align RISE HEIGHT hole (measurement **D**) on scribe line and fasten **2**.
3. Align hole (**10**) on scribe line, fasten holes **3a** & **3b**.
4. Install next bracket overlapping RISE HEIGHT (measurement hole **D**) with hole (**10**) and fasten through both brackets **4**.
5. Install remaining brackets onto stringer repeating steps 3 and 4 above. Repeat steps for stringer #2

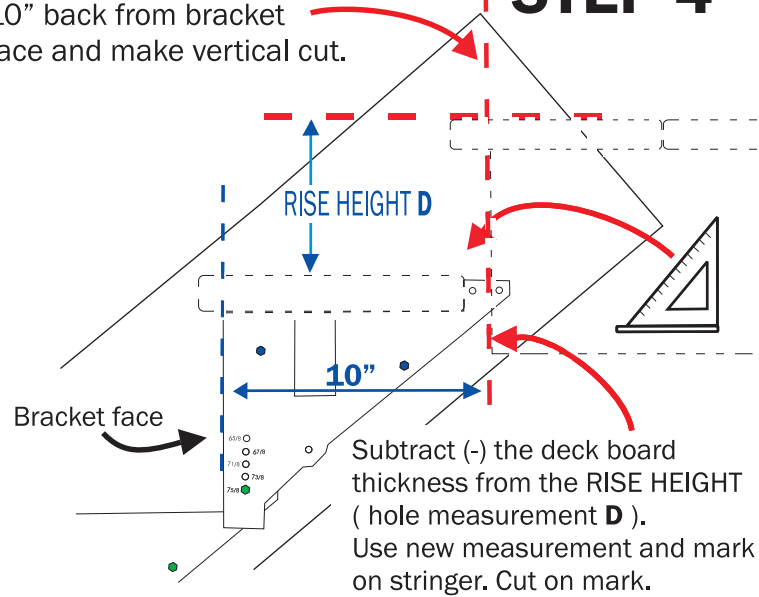
STEP 3

Mark RISE HEIGHT hole (measurement **D**) from worksheet onto bottom of stringer.

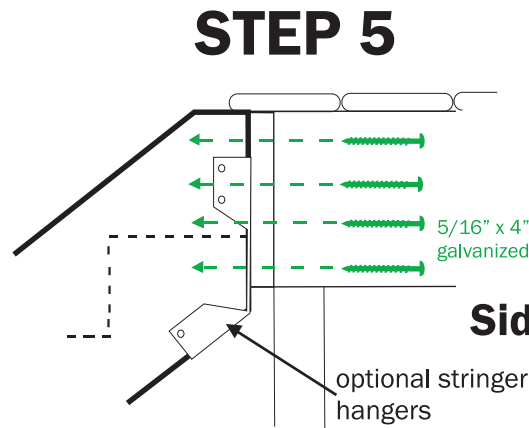


STEP 4

Mark line parallel to and 10" back from bracket face and make vertical cut.

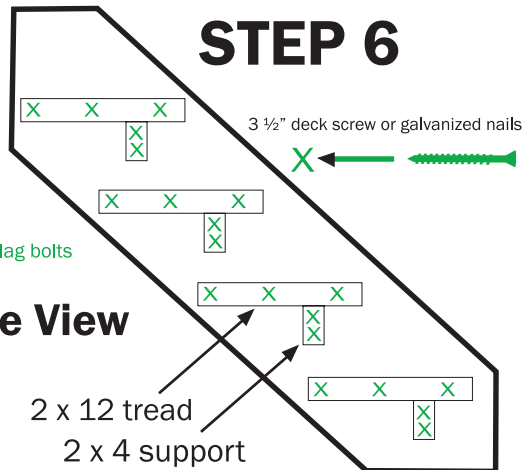


STEP 5



Pre drill holes from inside.

STEP 6



Install 2 x 4s & treads

